

# KATO CES

## Zero Tail Swing Mini Excavator

# V Four HD25

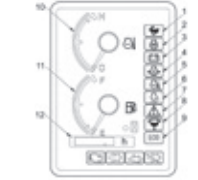


### Comfortable EVOLUTION

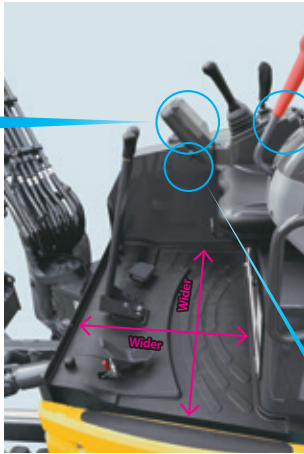
#### COMFORTABLE OPERATOR ROOM AND EASY MANIPULATION



• Easily visible monitor



- 1 Travel speed indicator
- 2 Glow indicator
- 3 Battery charge warning indicator
- 4 Engine oil pressure warning indicator
- 5 Water temperature warning indicator
- 6 Auto idle indicator
- 7 Control lock warning indicator
- 8 Water-separator warning indicator
- 9 ECO mode indicator
- 10 Water temperature gauge
- 11 Fuel gauge
- 12 Hour meter



• Leg room enlarged by 20%  
 • Cabin room enlarged by 25%  
 \*In comparison with our former model



- Centralized switches (Right console box)
- A Engine starter switch
- B Throttle dial
- C Auto Idle selector switch
- D Light switch
- E Work mode selector switch



• Spare power port (12V 10A)

### Safety EVOLUTION

#### WORLD-STANDARD SAFETY

- ROPS/TOPS Compliance Operator Cab and Canopy
- ROPS/TOPS Canopy (std.)
- ROPS/ TOPS Cab (opt.)
- FOPS Cab (opt.)



ROPS/TOPS Cab (opt.)

#### ERROR-PREVENTION

- All-lever lock
- Neutral engine-start
- Auto-parking brake in swing & traction motors



All operations are blocked when the lever is raised.

### High Performance EVOLUTION

#### HIGH POWER DIGGING AND QUICK RESPONSE

- Digging force increased by 10%  
 \*In comparison with our former model
- Quickly responsive 4-pump system

#### EASY MAINTENANCE

- Large covers for easier access



• Right hand cover



• Engine room

Hydraulic tank with air breather



Large fuel filter

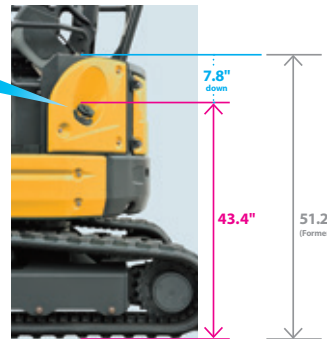


Water-separator



\* The warning indicator turns on if water is collected up to the specified level.

#### EASY FUEL REFILLING



#### LOW FUEL CONSUMPTION

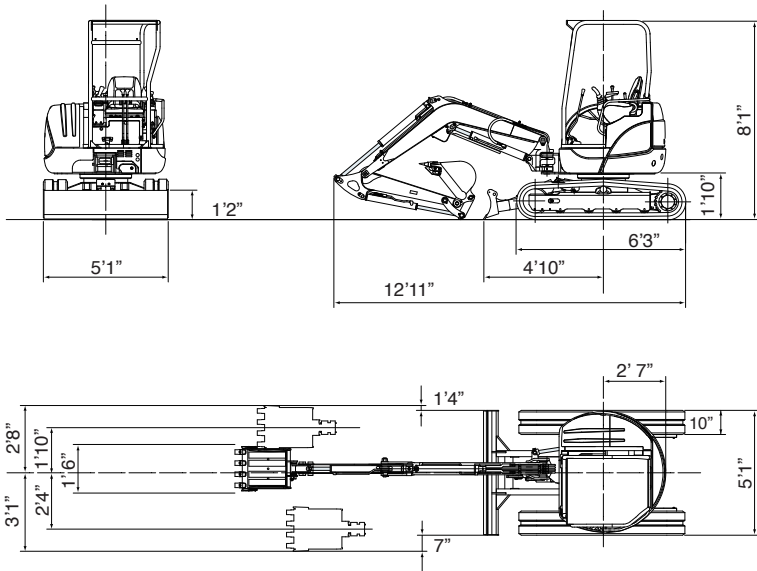
### 24% FUEL SAVINGS

From the New Auto Idle and Eco Mode Features.  
 \*In comparison with our former model

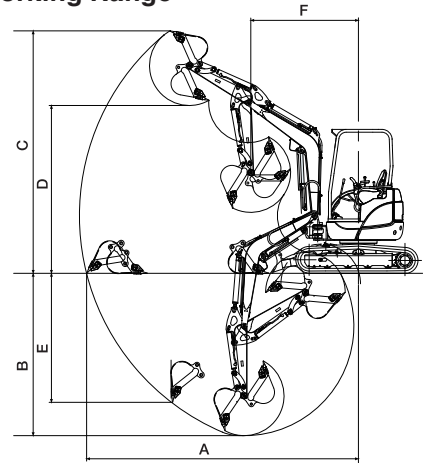
Refilling position (unit : inches)



## ■ Dimensions



## ■ Working Range

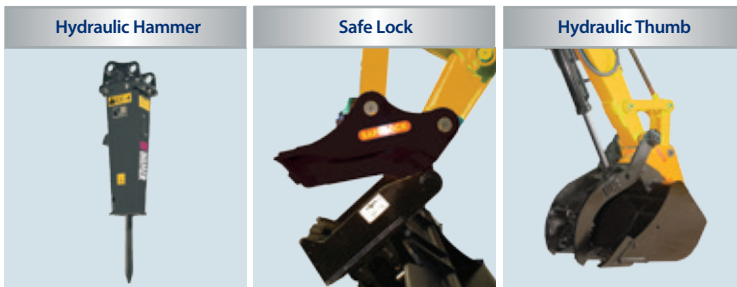


	4-Post/Cabin
A Max. digging radius	14'9"
B Max. digging depth	8'3"
C Max. digging height	13'3"
D Max. dumping height	9'
E Max. vertical digging depth	6'5"
F Min. front turning radius	6'4"
At right boom swing	4'11"

## ■ 25V4 Specifications

Performance		Boom swing system	
Bucket capacity	2.8 cu. ft.	Type	Boom offset with hydraulic cylinder
Bucket width	18"	Swing angle (L/R)	50°/80°
Operating weight: 4-Post (Cabin)	5,955 lbs. (6085 lbs.)	Hydraulic system	
Transportation weight: 4-Post (Cabin)	5,750 lbs. (5,880 lbs.)	Pressure	3,000 psi
Swing speed	10 min <sup>-1</sup>	Pump • type/hydraulic flow	2 Piston/2 Gear • 7.9 gpm/min x 2 + 5.2 gpm
Travel speed (low/high)	1.5/2.8 mph	Dozer blade	
Gradeability	30°	Size	61"x14.4"
Ground pressure	3.9 psi	Lift above ground / Drop below ground	14.6"/15.4"
Max bucket digging force	5,698 lbs.	Max auxiliary flow	
Engine		1st line	12.7 gpm
Model	KUBOTA D1305-E4B Tier 4 Final		
Rated output	23.6 hp/2400 rpm		
Fuel tank capacity	11.08 gallons		

## Optional Attachments:



Photographs may differ in some cases from actual objects. Specifications are subject to change without notice due to technical improvements or modifications.

## Features:



# KATOCES

**COMPACT EXCAVATOR SALES, LLC**  
 400 Production Court • Elizabethtown, KY 42701  
 Phone: 800.583.1447 • Fax: 270.737.0419  
 WWW.KATOCES.COM