



## SJ519 TH TELEHANDLER

### KEY FEATURES

- 5,500 lbs (2,495 kg) Maximum lift capacity
- 19' 1" (5.82 m) Maximum lift height
- 4,400 lbs (1,996 kg) Capacity @ maximum lift height
- 11' 1" (3.38 m) Maximum forward reach
- 2,000 lbs (907 kg) Capacity @ maximum forward reach
- DPF & DEF Free Tier 4 Final 74hp/184 lb-ft Deutz TCD 2.2L engine
- Hydrostatic drive & Dana axles
- 3 Mode steering
- Yoke mounted lifting shackle
- 48" Quick attach, floating pin carriage
- Pallet forks, 1.5"x4"x48", 5,500 lbs capacity

### TIRE OPTIONS

- Foam filled grip lug 12 x 16.5
- Airless solid rubber 33 x 12
- Non-marking airless solid rubber 33 x 12
- Non-marking air filled rough terrain 12 x 16.5
- Non-marking foam filled rough terrain 12 x 16.5
- Non-directional air filled 12 x 16.5
- Non-directional foam filled 12 x 16.5

### STANDARD FEATURES

- 18 GPM Auxiliary hydraulics with hydraulic flow control valve
- Quick attach carriage mount
- Rear and side window
- Suspension seat
- Single multifunction pilot operated joystick control
- In cab engine multifunction display
- Hydraulic test ports
- Lockable in cab storage box
- Steel engine bay cowl
- Steel component and access covers
- 2 Year Gold Leaf Warranty (5 year structural warranty)

### FORK OPTIONS

- Pallet forks, 1.5"x4"x48" or 60", 5,500 lbs capacity
- Fully tapered forks, 1.5"x4"x48", 5,500 lbs capacity
- Block forks, (set of 4) 2"x1.5"x48", 5,500 lbs capacity

Preliminary specifications at time of printing. Consult your local area sales representative for details.

† Standard lead times may be increased when optional equipment is added, consult factory.

‡ Air filled tires, standard carriage only. Optional equipment will increase weight.

# SJ519 TH TELEHANDLER

5,500 lbs (2,495 kg) capacity, 19' 1" (5.82 m) maximum lift height

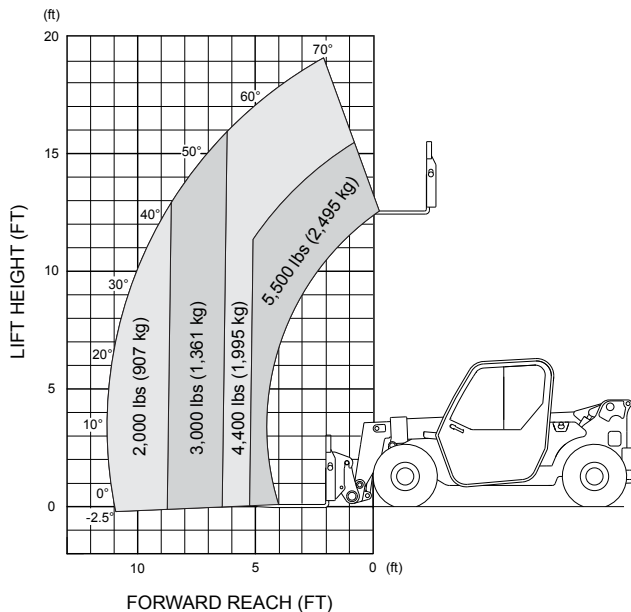
SPECIFICATIONS	SJ519 TH
Maximum Lift Capacity	5,500 lbs (2,495 kg)
Maximum Lift Height	19' 1" (5.82 m)
Rated Lift Capacity @ Maximum Height	4,400 lbs (1,995 kg)
Maximum Forward Reach	11' 1" (3.38 m)
Rated Lift Capacity @ Maximum Reach	2,000 lbs (907 kg)
Overall Length - Less Forks	13' 5" (4.09 m)
Overall Height - Stowed	6' 4" (1.93 m)
Overall Width	5' 11.5" (1.81 m)
Ground Clearance	11" (27.94 cm)
Turning Radius - Outside	125" (3.17 m)
Operating Weight±	10,500 lbs (4,763 kg)
Engine	74hp/184 lb-ft Deutz TCD 2.2L T4F
Max Travel Speed - Forward	15mph (24 km/h)
Drawbar Pull	8,700 lbs
Breakout Force	10,600 lbs
Transmission	Hydrostatic, 1 F/R
Axles	Dana
Steering	3 Mode (Front Wheel, 4 Wheel, Crab)
Tires	Pneumatic 12 x 16.5 12PR Grip Lug
Fuel Tank Capacity	15.1 gallon (57 L)
Hydraulic Reservoir	18.7 gallon (70 L)

## OPTIONAL EQUIPMENT

- Closed cab (adds front and top window, wipers, full door, heater/defroster, operator fan)
- Air conditioning (closed cab only)
- Partially enclosed cab (adds front & top windows, wipers)
- Backup sensor
- Backup sensor and camera
- Service convenience package (remote axle grease points & clean drain oil valve)
- Cold weather package (includes cold start engine oil, 50/50 antifreeze mix, battery blanket, hyd tank heater & engine block heater)
- Four wheel fenders
- Fire extinguisher bracket
- Road light package (2 front headlights, front & rear turn signals, tail lights, brake lights)
- Boom light package (front and rear facing LED work lights)
- Work light package (2 boom mounted LED work lights)
- Rotating beacon
- Positive air shut-off valve
- Non destructive testing
- Drive speed select dial
- Hydraulic carriage connect
- Tilt steering
- ELEVATE telematics package
- Warranty options (3 year and 5 year options available)

## QUICK ATTACH CARRIAGES / ATTACHMENTS

- 48" Floating pin carriage, 5,500 lbs capacity
- 48" Floating pin, side tilt carriage, 4,700 lbs capacity
- 48" Floating pin, side shift carriage, 4,700 lbs capacity
- Skid steer attachment adapter plate, 5,500 lbs capacity
- 6' Truss boom, 2,000 lbs capacity
- 66" Bucket, 4,000 lbs capacity



### IMPORTANT

- Machine design complies with ANSI/ITSDF B56.6-2016 stability requirements for rough terrain forklifts.
- Rated capacities shown are with machine on firm level ground, steered straight with frame level and on properly inflated tires.
- Read boom angle and boom extension, then determine allowable load from chart.
- Do not exceed rated loads as dangerous and unstable machine conditions will result.
- Always travel with boom retracted in the lowest possible position.

### Skyjack Head Office

55 Campbell Rd. Guelph, ON Canada N1H 1B9  
 Sales Inquiries: 1-877-755-4387 (1-877-SJLIFTS)  
 Main Switchboard: 1-800-265-2738  
 Phone: 519-837-0888  
 Fax: 519-837-8104  
 Email: skyjack@skyjack.com  
 www.skyjack.com

